

# ELECTRONIC TEMPERATURE TRANSMITTER

## TYPE TTT



### PERFORMANCE SPECIFICATIONS

**Accuracy** : 0.5 %  
**Linearity** : 0.5 %

### FUNCTIONAL SPECIFICATIONS

**Range** : - 200 to + 450 ° C (RTD's sensor)  
 : 450 °C to 1500 °C ( thermocouple)

**Span**  
**min** : 50 °C  
**max** : 400 °C

**Output** : 4 ... 20 mA DC

**Power supply** : 16.5 ...37 V DC

**Load** : max. 830 Ohm

**Protection grade**

**mechanical** : IP65, acc EN 60529

**electrical** : explosion-proof type EEx dII CT6  
 acc EN 50014

### PHYSICAL SPECIFICATIONS

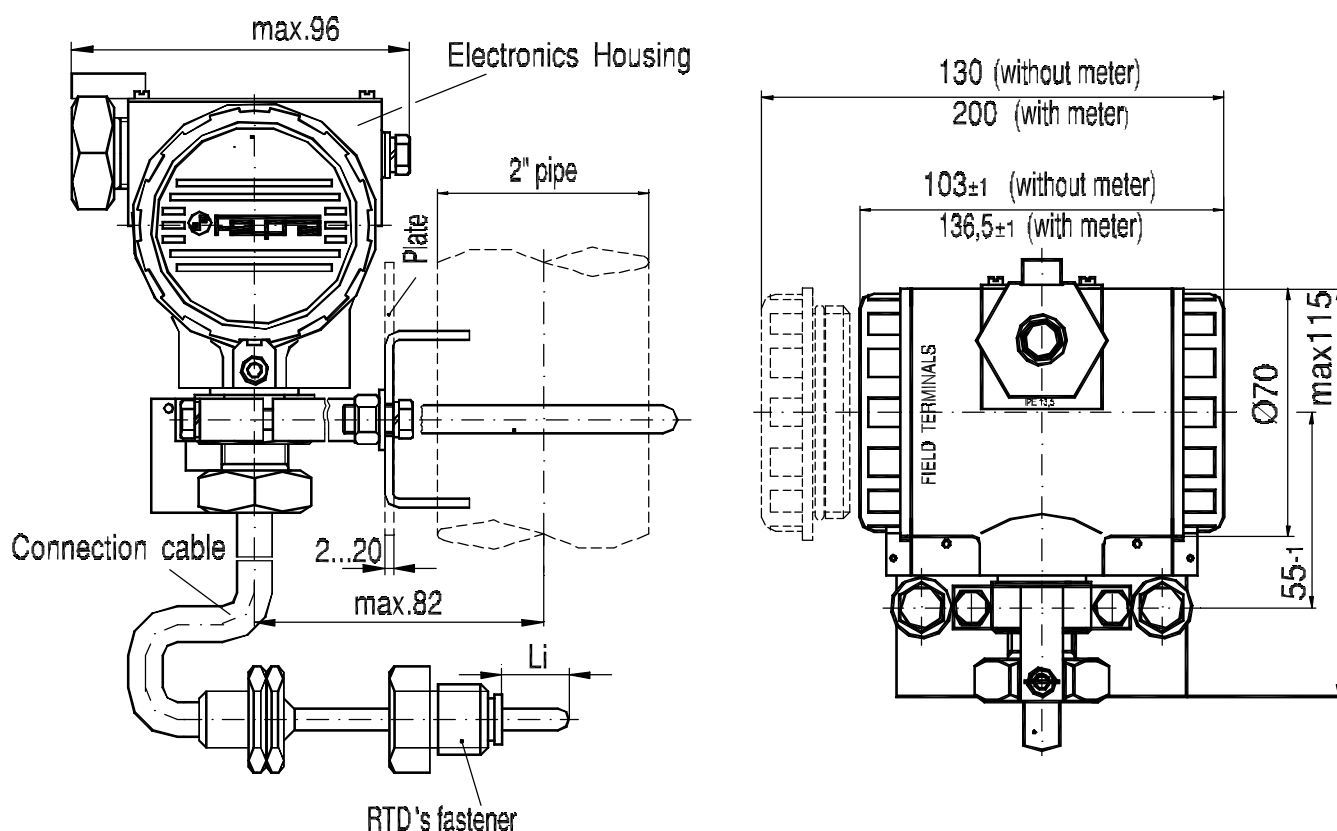
**Materials :**

**Electronics housing** : aluminium alloy

**RTD** : Pt 100

**RTD's sheath** : brass ; stainless steel;  
 other at request

### MOUNTING AND OVERALL DIMENSIONS



## CODING (HOW TO ORDER)

Model TTT	X	XX	X	X	(...)	X	X	X	Coding level denomination
Coding level	a	b	c	d	e	f	g	h	
									<b>a. Protection grade</b>
1									IP 65 , acc EN 60529
2									explosion-proof, EEx d IICT6 (electronics housing)
									<b>b. Ranges</b>
									Spans °C
									Ranges °C
									Obs.
11									RTD's sensor
12								50 to 100	
13									
21									
22								100 to 200	
23									
31									
32								200 to 400	
33									
41								other	
42								other	
1									2 m
0									other at request
									<b>d. Material of sheath</b>
									1 brass
									3 stainless steel
									0 other at request
									<b>e. Calibrated range ( ° C )</b>
					( ... )				type min. and max. calibrated range limits
									<b>f. RTD's Fastener</b>
									1 no fastener
									7 Union nipple M 18 x 1,5
									0 Special orders
									<b>g. Imersion length ( mm )</b>
									1 50 < Li < 180
									2 Li = 200
									3 Li = 150
									4 Li = 125
									5 Li = 100
									6 Li = 80
									7 Li = 60
									8 Li = 40
									9 Li = 30
									0 Special orders
									<b>h. Optios</b>
									0 no options
									R reverse output
									M1 Analog meter , scale units mA , accuracy 2.5
									M2 Analog meter ,0 ...100% , accuracy 2.5
									MD3 LCD meter , mA DC units , accuracy 1
									MD4 LCD meter, 0 ...100% , accuracy 1