

TEMPERATURE SWITCH

Type TM



PERFORMANCE CHARACTERISTICS

- Snap action switch , produced by OMRON - JAPAN
- Flame - proof version available , acc. CENELEC Norms

FUNCTIONAL CHARACTERISTICS

- Adjustable Temperature range : different spans within range - 20 ...+ 230 °C ;
- Max . Temperature of Probe : max. 20 °C over max. span
- Electrical Rating : SPDT switch , 15 A / 250 V AC or 0,25 A / 250 V DC ;
- Ambient Temperature Limits : - 20...+40°C;
- Humidity : 95±3% at 25°C

PHISICAL CHARACTERISTICS

- Process connection Type : G 1/2 " (male)
- Materials :
- Housing : die - casted Aluminium alloy
- Sensitive element : Stainless Steel

TYPICAL VERSIONS AND OVERALL DIMENSIONS

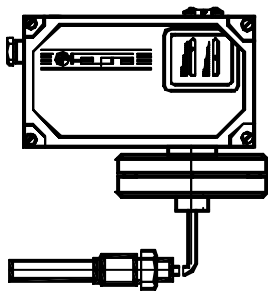


Fig.1
Protection Class IP54
and adjustable ranges within
30 °C to 230 °C

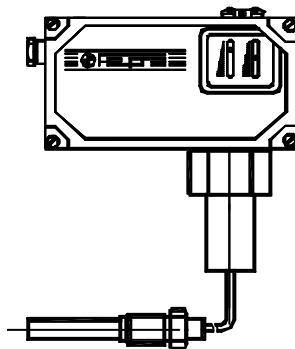


Fig.2
Protection Class IP54
and adjustable ranges within
- 20 °C to 50 °C

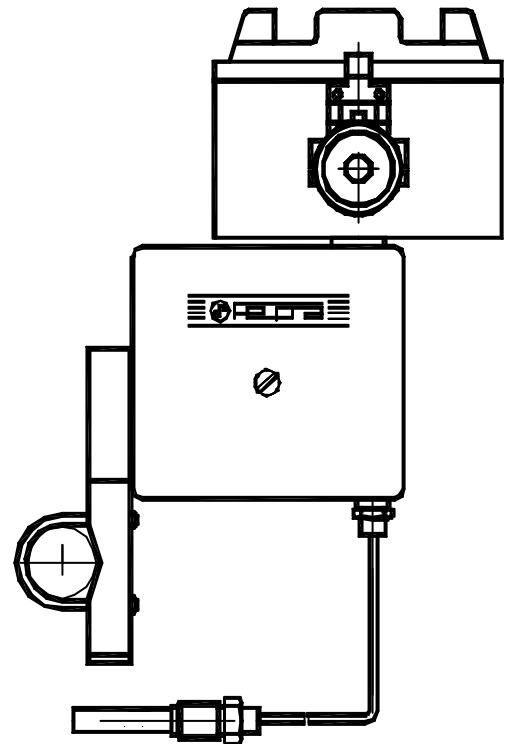


Fig.3
Explosion - proof enclosure and
adjustable ranges within
- 20 °C to 230 °C

OVERALL DIMENSIONS

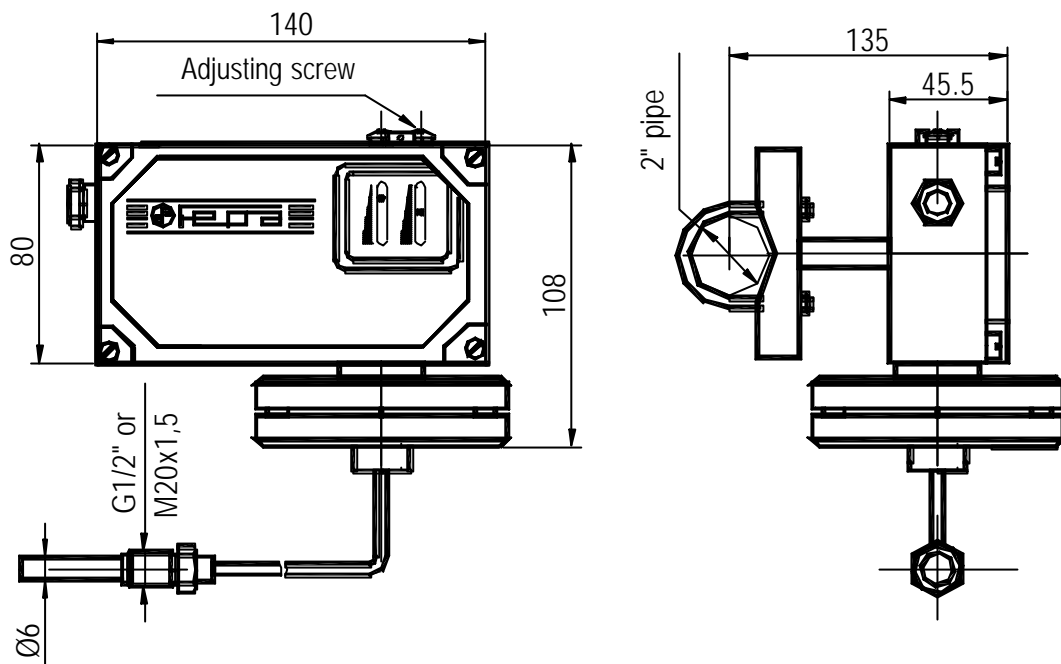


Fig.1 Protection Class IP54 and adjustable ranges within 30 °C to 230 °C

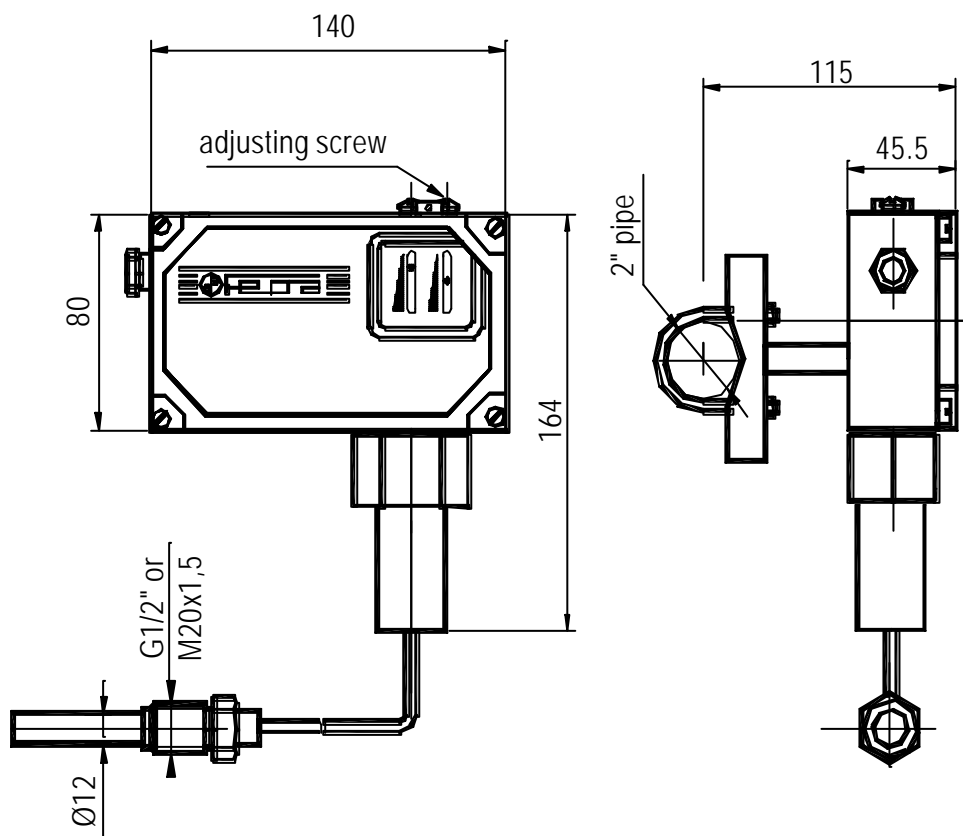


Fig.2 Protection Class IP54 and adjustable ranges within -20 °C to 50 °C

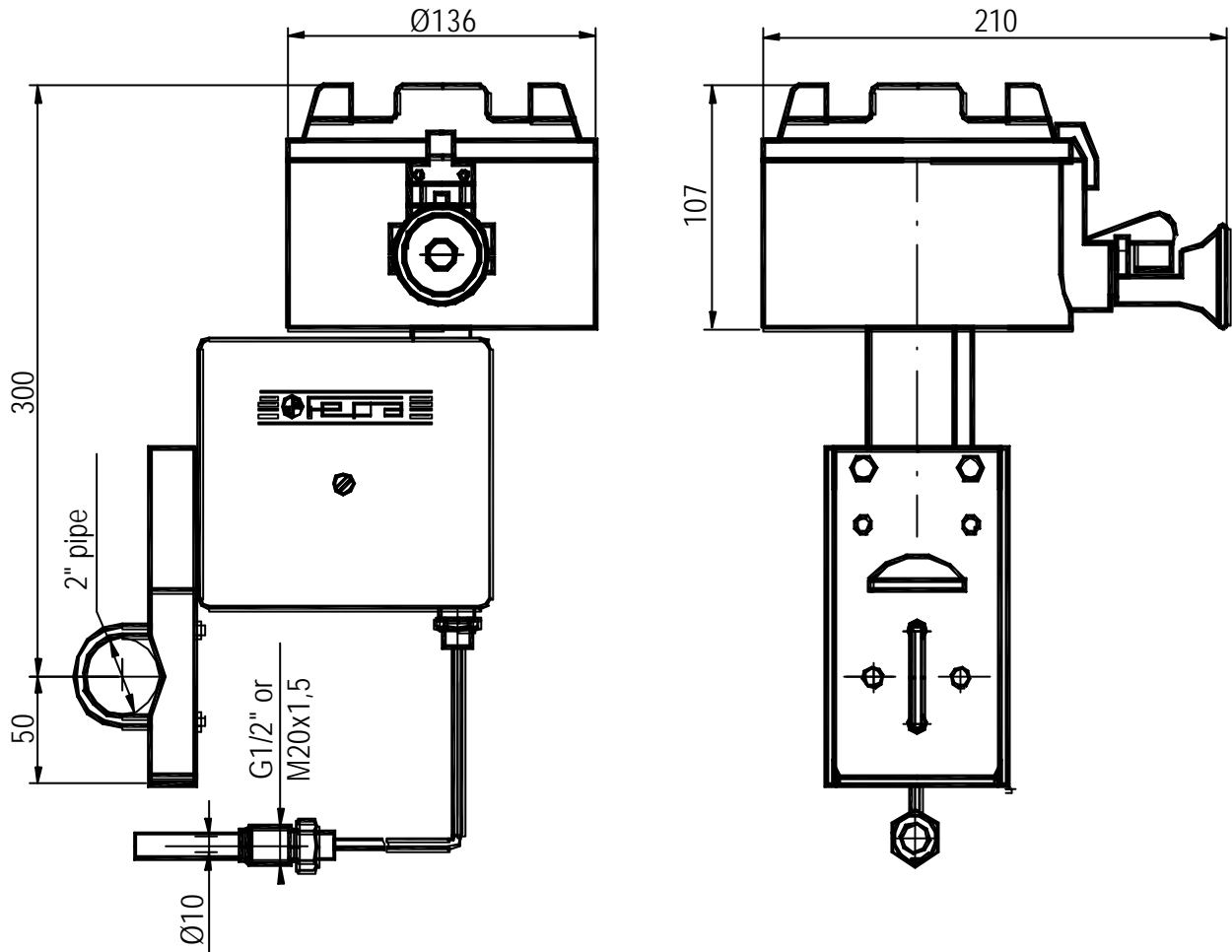


Fig.3 Explosion - proof enclosure and adjustable ranges within - 20 °C to 230 °C

CODING (How to order)

Model TM	X	XX	X	X	Coding denomination
Coding levels	a	b	c	d	
					a. Protection Class
	1				- Explosion - proof enclosure EExdIICT6 type , acc. EN 50014 (similar to CENELEC norms)
	2				- Weather – proof enclosure , IP 54 type , acc. EN 60529 (similar to NEMA4)
					b. Adjustable Temperature Range (°C)
					Max. fixed dead band
					For IP54
					For flame proof version
	01				-20 ...+30 5°C 6°C
	02				0 ... +50 5°C 6°C
	03				30 ... 80 4°C 6°C
	04				80 ... 150 5°C 10°C
	05				150 ... 230 6°C 12°C
					c. Process connection type
	1				- G 1/2" (male)
	2				- M 20 x1,5 (male)
	3				- at request (the thread size must be greater than the bulb diameter)
					d. Capillary length
	1				1,5 m
	2				3 m
	3				4,5 m
	4				- at request

EXAMPLE FOR ORDERING

