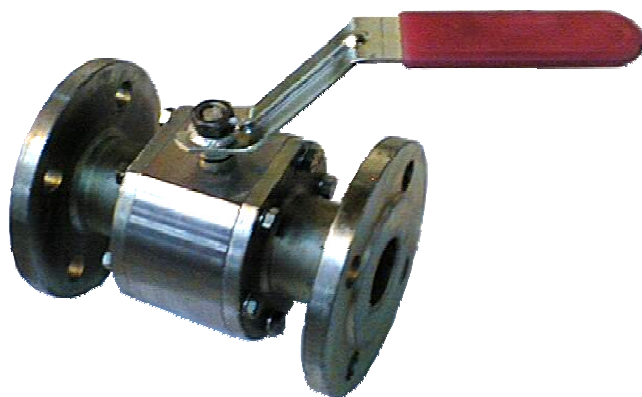


# BALL VALVE TYPE RDS

## Flanged End Connections



### TECHNICAL CHARACTERISTICS

- **Operating Pressure** : min. 6 bar ; max. 100 bar ( acc flange pressure rating)
- **Operating temperature** : max. 200°C
- **Service** : neutru ;
- **Nominal Diameter** : min. 20 mm ; max. 100 mm ( acc standardized pressure series )
- **Process Connection type** : flanged end connections acc DIN or ANSI
- **Materials**
  - ball : SS W 14571
  - body / flange : Aluminium alloy ; Carbon steel ; Brass ; SS W14571

### OVERALL DIMENSIONS

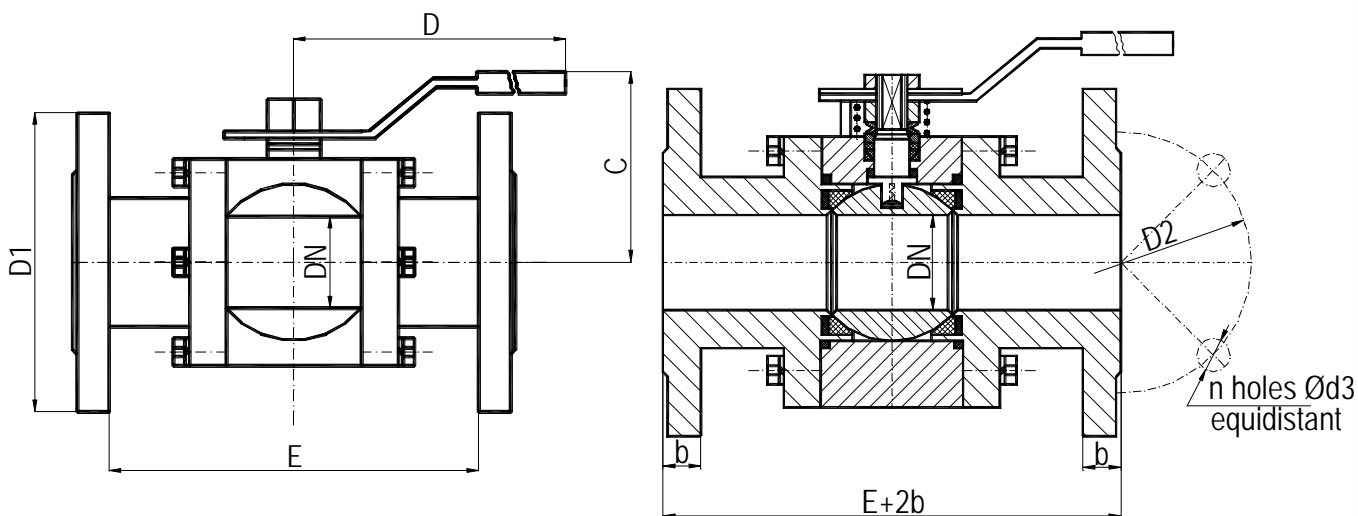


Fig. 1

Note : Dimensions D1, D2, d<sub>3</sub> and b are in accordance with the flange rating .

Nominal Diameter (mm)	Dimensions ( mm )		
	C	D	E
20	83	193	130
25			
32	120	225	176
40			
50	126	225	189
65	140	225	259
80	151	225	283
100	171	225	325
50	135	225	189

## CODING (how to order )

Model RDS	XX	XX	XX	X	Coding Level Denomonation				
Coding Level	a	b	c	d	a. Flange pressure rating	b. Nominal Diameter (mm)	Dimensions (mm)		
							C	D	E
	09	06			PN 6...100	20	83	193	130
	10	07			PN 6...100	25			
	11	08			PN 6...64	32	120	225	176
	12	09			PN 6...64	40			
	13	10			PN 6...40	50	126	225	189
	14	11			PN 6...40	65	140	225	259
	15	12			PN 6...16	80	151	225	283
	16	13			PN 6...16	100	171	225	325
	17	14			PN 16	50	135	225	189
					<b>c. Body Material</b>				
		01			Aluminum alloy (AlCuMg1)				
		02			Carbon steel				
		03			Brass ( CuZn39Pb2 )				
		04			Stainless Steel, ( W 1.4571 )				
					<b>d. Service</b>				
		0			Air, water (PTFE and rubber)				
		1			Steam max 200°C (PTFE and silicon gaskets )				
		2			Oil, petroleum products (PTFE and ACT 1 or GTP rubber )				
		3			Oxygen (O <sub>2</sub> )				

Note : When ordering specify the standard of flange and sealing surface.  
Otherwise, the sealing surface is raised face (RF ) type.

BALL VALVE  
TYPE RDS

Threaded End Connections



TECHNICAL CHARACTERISTICS

- Operating pressure limits : 16 to 200 bar see coding
- Max. operating temperature : 200°C
- Working fluid : neutral
- Nominal Diameters : min. 4 mm ; max. 100 mm ( acc. standardized series )
- Process Connection type : G 3/8" to G 4" , female , acc to Nominal Diameter ( see coding )
- Materials :
  - ball : SS W 1 4571
  - body : Aluminium alloy ; Carbon steel ; Brass ; SS W14571

OVERALL DIMENSIONS

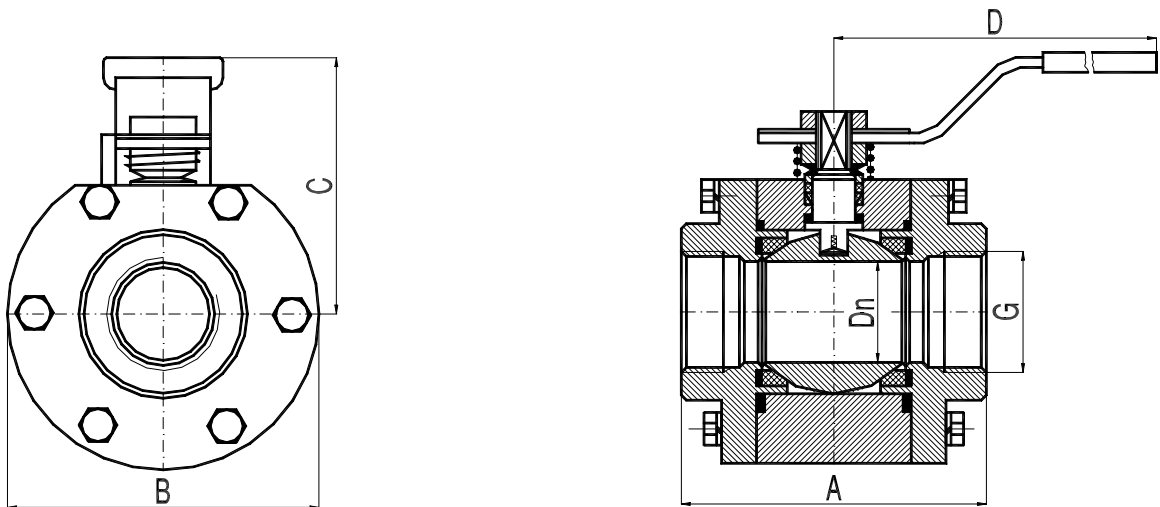


Fig. 1.

Process connexion type (G)	Dimensions ( mm )			
	A	B	C	D
G3/8"	56	48	54	160
G1/2"	74	60	75	193
G1"	102	80	83	193
G1 1/2"	126	120	120	225
G2"	146	132	126	225
G2 1/2"	192	166	140	225
G3"	210	192	151	225
G4"	240	232	171	225

**CODING ( How to order )**

Model RDS	XX	XX	XX	X	Coding level denomination						
	a	b	c	d	a. Process connexion type (G)	b.Nominal diameter (mm)	Dimensions (mm)				Max. operating pressure (bar)
Coding level							A	B	C	D	
	01	03			G3/8"	10	56	48	54	160	200
	02	04 05			G1/2"	12 15	74	60	75	193	150
	03	06 07			G1"	20 25	102	80	83	193	100
	04	08 09			G1 1/2"	32 40	126	120	120	225	50
	05	10			G2"	50	146	132	126	225	50
	06	11			G2 1/2"	65	192	166	140	225	40
	07	12			G3"	80	210	192	151	225	16
	08	13			G4"	100	240	232	171	225	16
					<b>c. Body Material</b>						
	01				Aluminium alloy (AlCuMg1)						
	02				Carbon steel						
	03				Brass ( CuZn39Pb2 )						
	04				SS W1 4571						
					<b>d. Medium</b>						
	0				Air , water (PTFE O-rings)						
	1				Steam , max temperature 200°C (PTFE and silicon seal)						
	2				Oil, petroleum products (PTFE and ACT 1 or GTP rubber seal)						
	3				Oxygen (O <sub>2</sub> )						