

## GAUGE PRESSURE SWITCH TYPE PMS



### PERFORMANCE CHARACTERISTICS

- Adjustable or fixed dead band versions
- Electrical rating ; Snap action switch , produced by OMRON - JAPAN
- Flame - proof version available , acc. CENELEC Norms

### FUNCTIONAL CHARACTERISTICS

Adjustable Pressure Range : different spans within range 0 ... 0.010 ... 800 bar - ( see coding )  
Overpressure : different within limits 0.075 to 900 bar - ( see coding )  
Electrical Rating : SPDT switch , 15 A / 250 V AC or 0,25 A / 250 V DC  
Ambient Temperature Limits : - 20°C to 40°C  
Working Fluid Temperature Limits : 0°C to 120°C

### PHISICAL CHARACTERISTICS

Process connection type : 1/4 " NPT F or NPT M  
Materials :

- Housing : Die - casted aluminium alloy
- Sensitive element : - diaphragm : Nispan C alloy
- Bellow : Stainless Steel , W 1.4571 type

## TYPICAL VERSIONS AND OVERALL DIMENSIONS

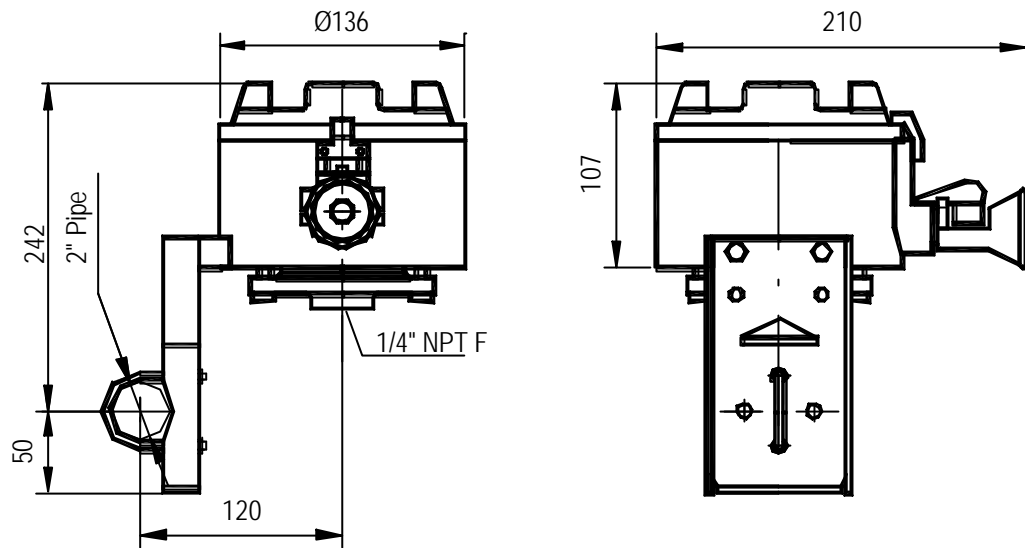


Fig.1  
PMS - EExdIICT6 & fixed dead band

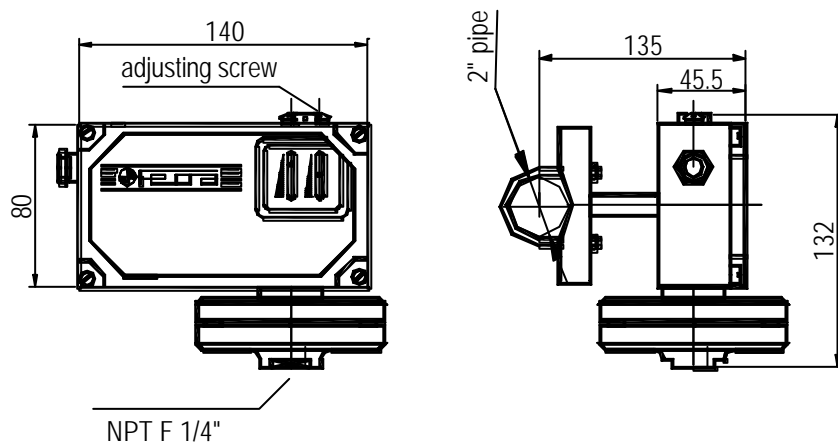


Fig.2  
PMS - IP54 with adjustable or fixed dead band

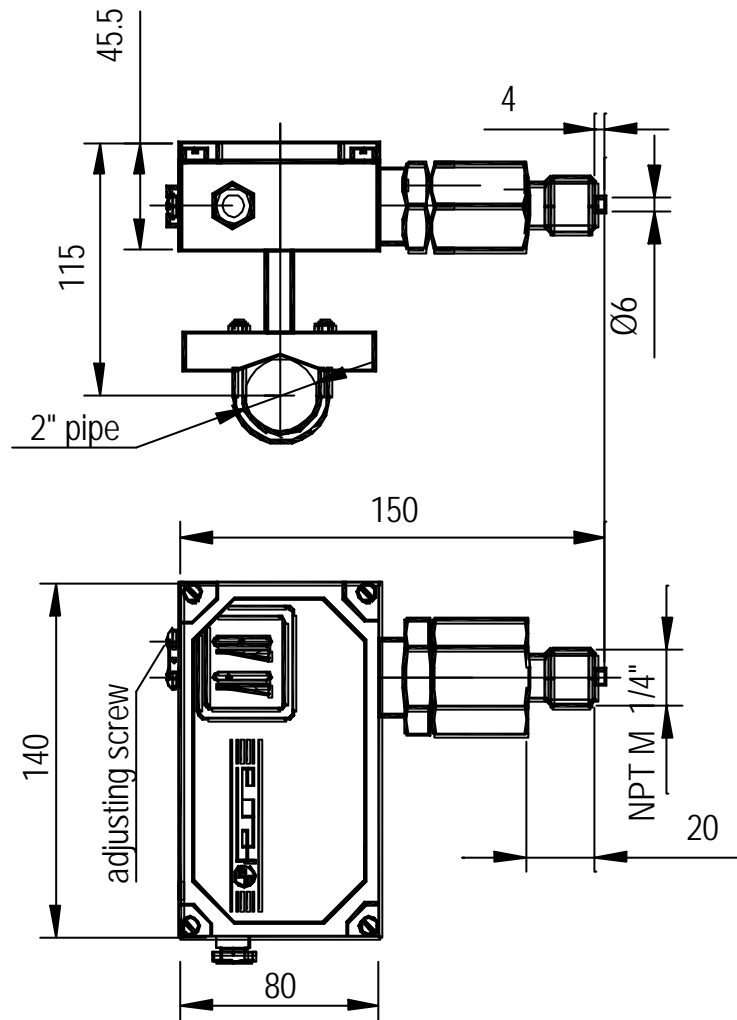


Fig3  
PMS - IP54 with adjustable or fixed dead band

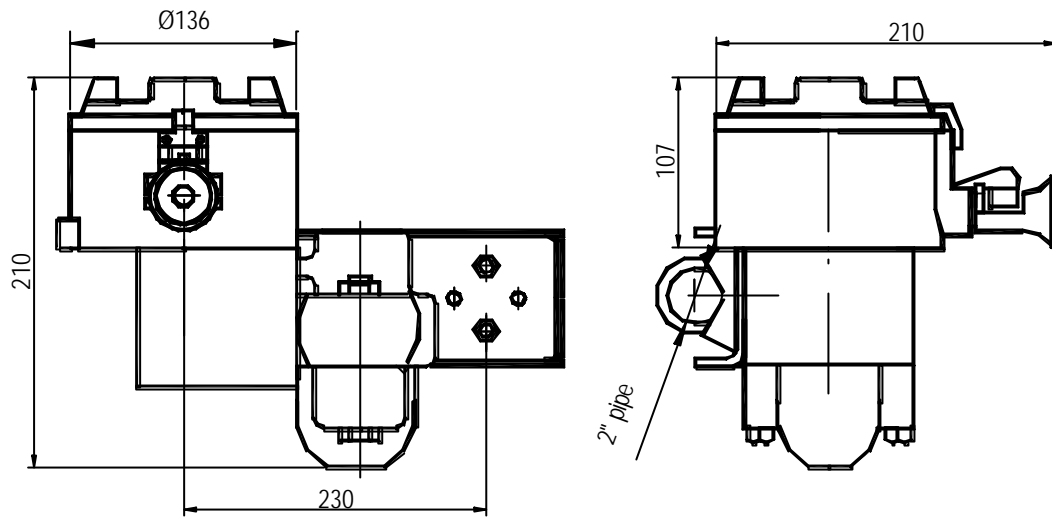


Fig4  
PMS - EExdIICT6 & fixed dead band

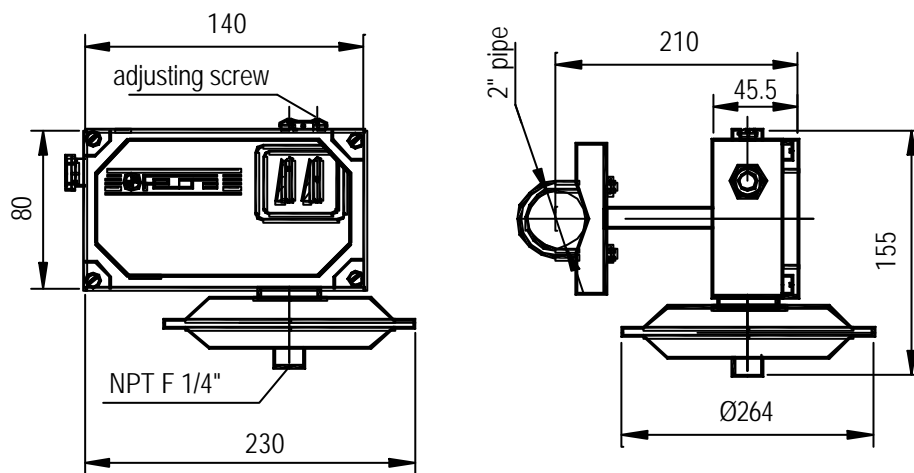


Fig.5  
PMS -IP54 with fixed dead band

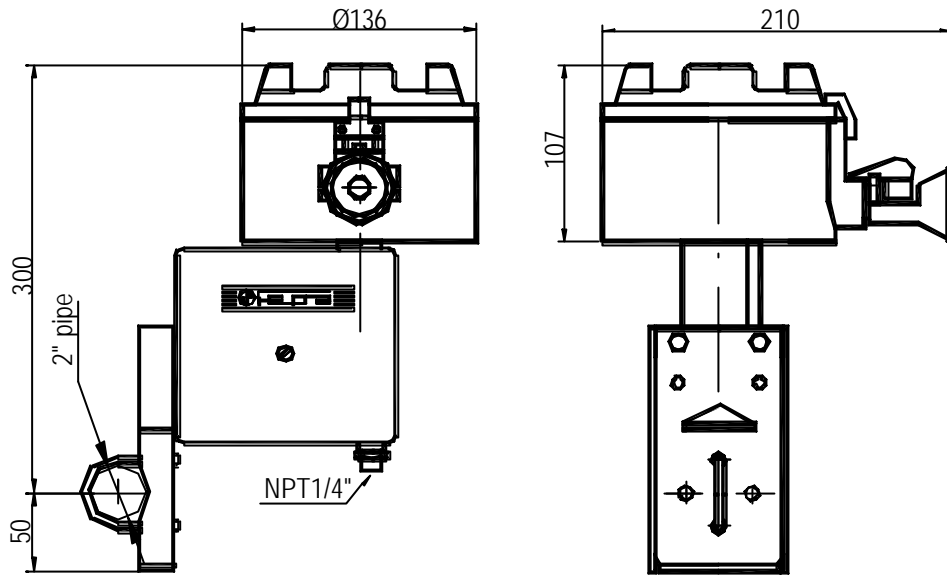


Fig6  
PMS -EExdIICT6 & fixed dead band

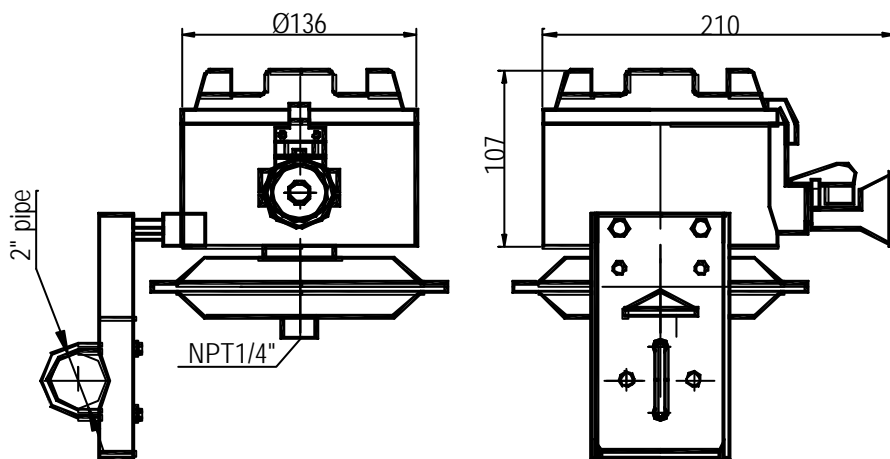


Fig7  
PMS -EExdIICT6 & fixed dead band

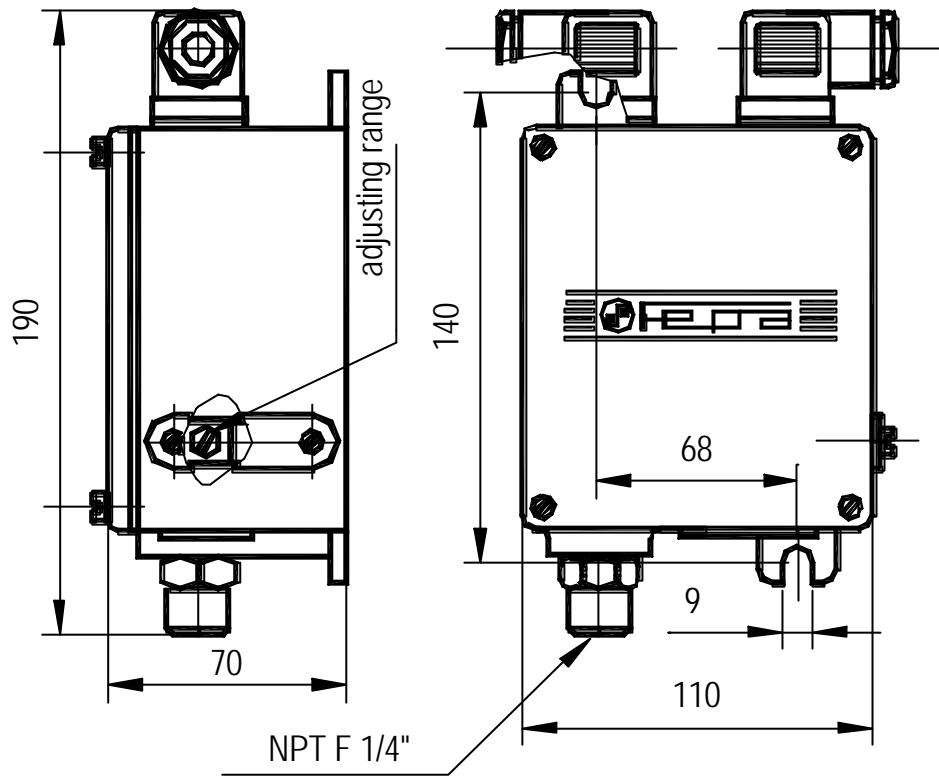


Fig8  
PMS - IP54 & fixed dead band

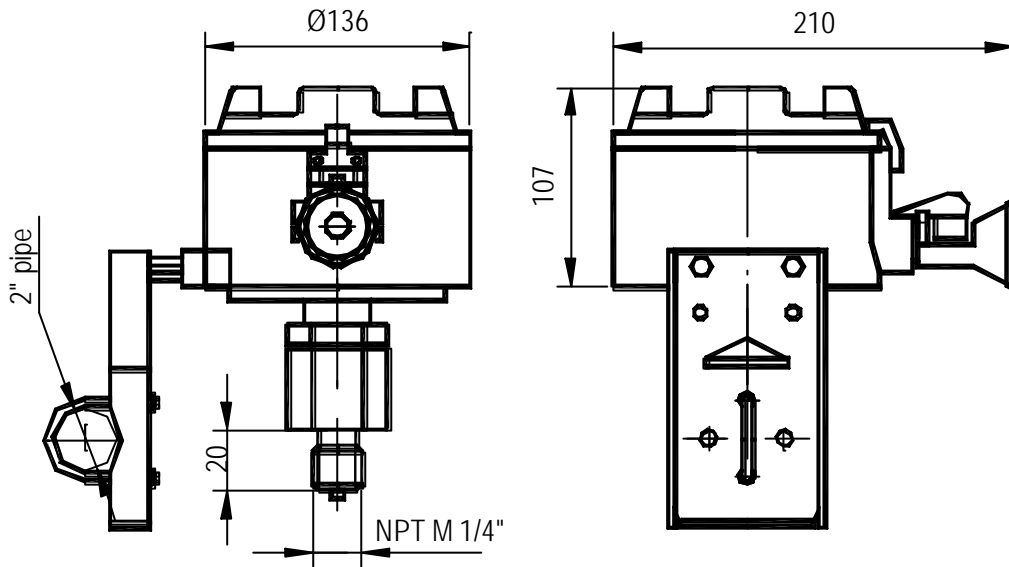


Fig9  
PMS -EExdIICT6 & fixed dead band

## CODING ( How to order )

Model PMS	X	XX	X	X	Coding denomination				
Coding level	a	b	c	d					
					<b>a. Protection Grade</b>				
1					Explosion – proof enclosure , EEx dII CT 6 type , acc. EN 50014 ( similar CENELEC Norms )				
2					Weather – proof enclosure IP 54 acc. EN 60529 (NEMA 4 )				
					<b>b. Adjustable pressure range (bar)</b>	<b>Overpressure (bar)</b>	<b>Max. fixed deadband (bar)</b>	<b>Adjustable deadband (bar)</b>	<b>Drawing as in fig.</b>
	01				0 ... 0.1 ... 1	1.5	0.030	0.15...0.8	1 or 2
	02				0 ... 0.1 ... 1.6	2.4	0.040	0.18...1	1 or 2
	03				0 ... 0.1 ... 2.5	3.75	0.050	0.24...2	1 or 2
	04				0 ... 0.1 ... 4	6	0.060	0.8...2.5	1 or 2
	05				0 ... 0.2 ... 6	9	0.120	1...5	1 or 3
	06				0 ... 0.3 ... 10	15	0.220	1...8	1 or 3
	07				0 ... 0.5 ... 16	24	0.400	2...12	1 or 3
	08				0 ... 0.5 ... 25	37.5	0.800	2...20	3 or 9
	09				0 ... 7 ... 40	60	1	1.6...22	3 or 4
	10				0 ... 14 ... 60	90	1.5 – for 14...40 bar 2 – for 40...60 bar	2...22	3 or 4
	22				0 ... 0.010 ... 0,150 - only for 2 on coding level a)	0.225	0.008	-	5
	23				0 ... 0.2 ... 6	9	0.120	1...5	2
	24				0 ... 0.3 ... 10	15	0.220	1...8	2
	25				0 ... 0.5 ... 16	24	0.400	2...12	2
	29				0 ... 0.010 ... 0,050 - only for 1 on coding level a)	0.075	0.008	-	7
	30				0 ... 30 ... 140	200	12	-	4 or 8
	31				0 ... 70 ... 400 - only for 1 on coding level a)	500	25	-	6 or 8
	32				0 ... 140 ... 800 - only for 1 on coding level a)	900	50	-	6
					<b>c. Working Fluid type</b>				
	1				Neutral				
	2				Corrosive				
					<b>d. Options</b>				
	1				With fixed dead band				
	2				With adjustable dead band - only for code "2" on coding level a)				
	3				Oxygen service				

### Example of ordering

