

DIFFERENTIAL PRESSURE SWITCH

Type PMD



PERFORMANCE CHARACTERISTICS

- Snap action switch , produced by OMRON - JAPAN
- Flame - proof version available , acc. CENELEC Norms

FUNCTIONAL CHARACTERISTICS

Adjustable Pressure Range : different spans within range 0 ... 0,2 ... 16 bar - (see coding)
Static Pressure : different within limits 10 ... 70 bar - (see coding)
Electrical Rating : SPDT switch , 15 A / 250 V AC or 0,25 A / 250 V DC
Ambient Temperature Limits : - 20°C to 40°C
Working Fluid Temperature Limits : 0°C to 120°C
Operating position : vertically with process connection down oriented

PHISICAL CHARACTERISTICS

Process connection Type : 1/4 " NPT M or NPT F
Materials :

- Housing : die - casted Aluminium alloy
- Sensitive element : - diaphragm : Nispan C alloy
- Bellow : Stainless Steel , W 1.4571 type

TYPICAL VERSIONS AND OVERALL DIMENSIONS

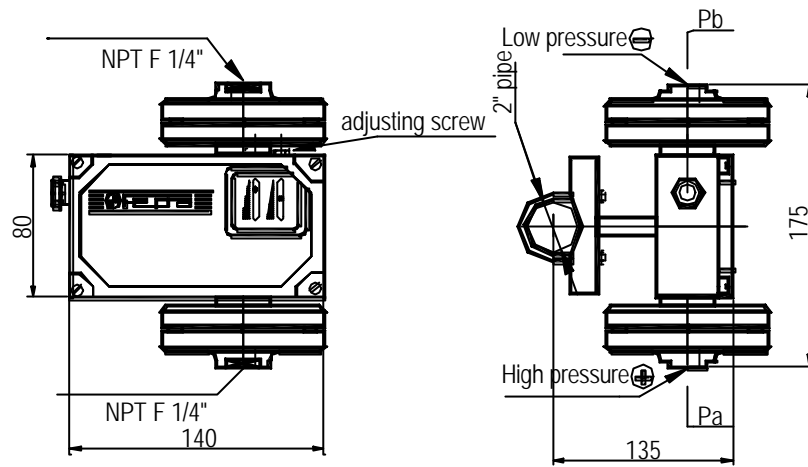


Fig. 1
PMD -IP 54 fixed dead band

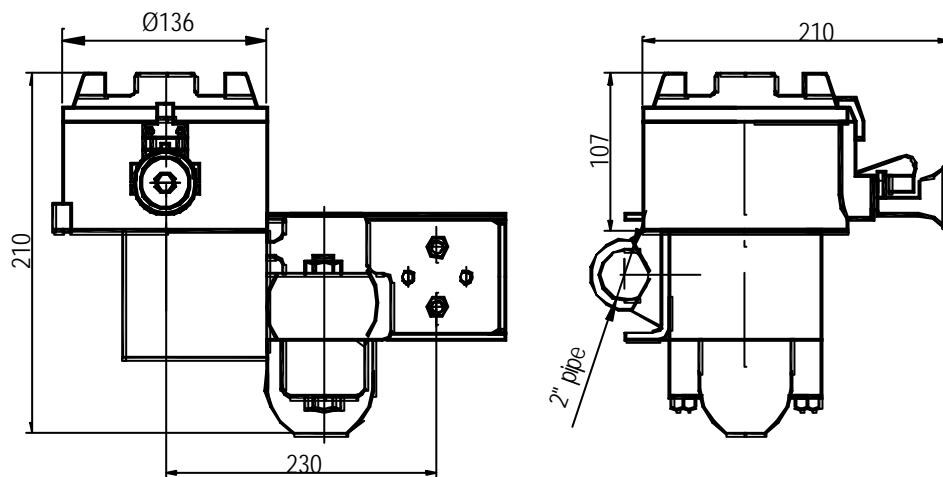


Fig.2
PMD - EExdIICT6 & fixed dead band

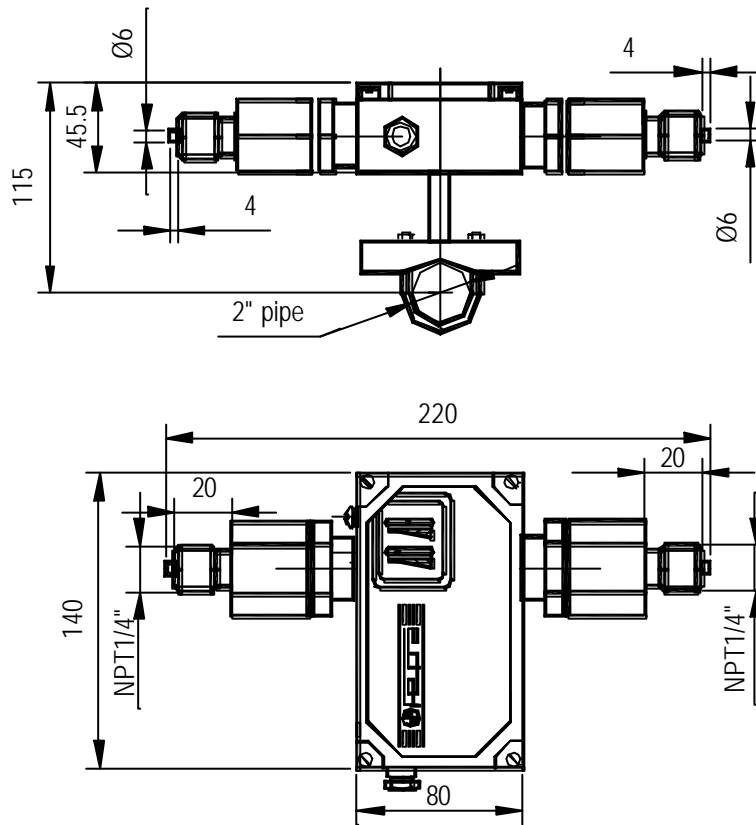


Fig.3
PMD - IP54 with fixed dead band

CODING (How to order)

Model PMD	X	XX	X	X	Coding denomination			
Coding level	a	b	c	d				
					a. Protection (Grade) Class			
1					Explosion – proof enclosure , EEx dII CT 6 acc. EN 50014 (similar CENELEC Norms)			
2					Weather – proof enclosure IP 54 acc. EN 60529 (NEMA 4)			
					b. Adjustable pressure range (bar)	Static Pressure (bar)	Maximum Fixed Dead Band (bar)	Drawing as in fig.
	11				0 ... 0.2 ... 1	35	0.350	2 or 3
	12				0 ... 0.25 ... 1,6	35	0.400	
	13				0 ... 0.3 ... 2,5	35	0.500	
	14				0 ... 0.3 ... 4	35	0.600	
	15				0 ... 0.5 ... 6	35	1.000	
	16				0 ... 0.5 ... 10	35	1.200	
	17				0 ... 0.5 ... 16	70	1.500	1
	18				0 ... 0.2 ... 1	10	0.200	
	19				0 ... 0.25 ... 1.6	10	0.250	
	20				0 ... 0.3 ... 2.5	10	0.300	
	21				0 ... 0.3 ... 4	10	0.350	
	26				0 ... 0.5 ... 6	25	1.000	
	27				0 ... 0.5 ... 10	25	1.200	
	28				0 ... 0.5 ... 16	25	1.500	
					c. Working Fluid type			
	1				Neutral Working Fluid			
	2				Corrosive Working Fluid			
					d. Options			
	1				With fixed dead band			
	2				Oxygen service			

Example of ordering

