

PRESSURE REDUCER FILTER

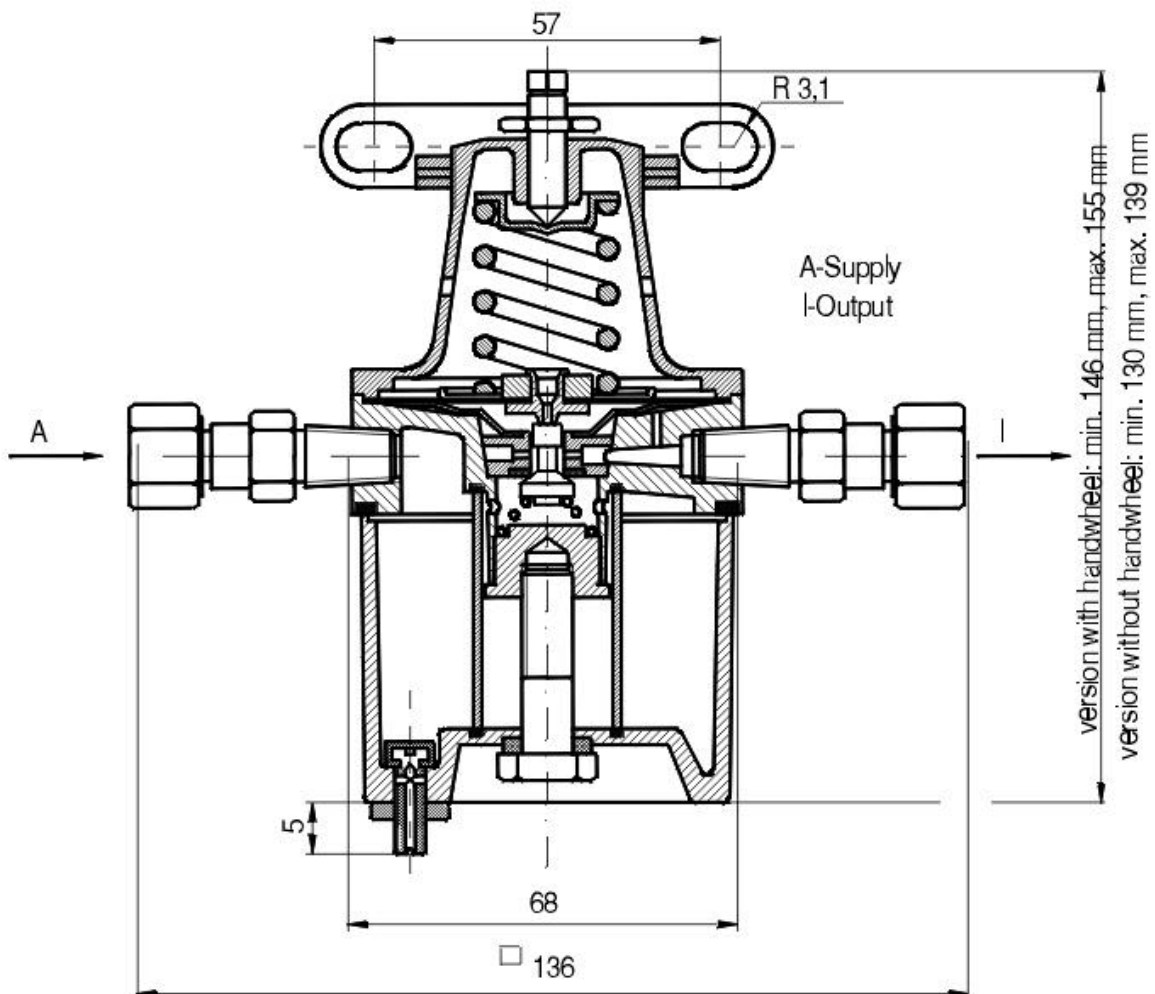
TYPE FR



TECHNICAL CHARACTERISTICS

Supply pressure :	max. 10 bar
Output pressure :	0...2 bar; optionally 0...4 bar
Output flow :	60 NI/min
Static air consumption at 50% of output :	
for 0 to 2 bar output:	1,5 NI/min
for the 0 to 4 bar output:	3 NI/min
Filtered particle size :	min. 0,005 mm
Ambient temperature range :	-35 ...+80°C;
Supervised by the Romanian Register of Shipment	

OVERALL AND MOUNTING DIMENSIONS



CODING (HOW TO ORDER)

Model FR	X	X	X	X	X	Coding level denomination
Coding Level	a	b	c	d	e	
						a. Versions
	1					Version for pressure gauge connection of 1/4"NPS
	2					Version for pressure gauge connection of KG 1/8"
						b. Output pressure range
		0				0...2 bar ; coded only 2 at a level
		1				0...4 bar; coded only 1 at a level
						c. Delivery
			0			Without pressure gauge, with 1/4"NPS plug;
			1			Without pressure gauge, with KG1/8" plug
			2			With pressure gauge, with 1/4"NPS connection
			3			With pressure gauge, with KG1/8" connection
						d. Accessories
				0		Without
				1		With accessories (connections for copper pipe $\Phi 6 \times 1$)
						e. Adjusting
					0	Without handwheel
					1	With handwheel